
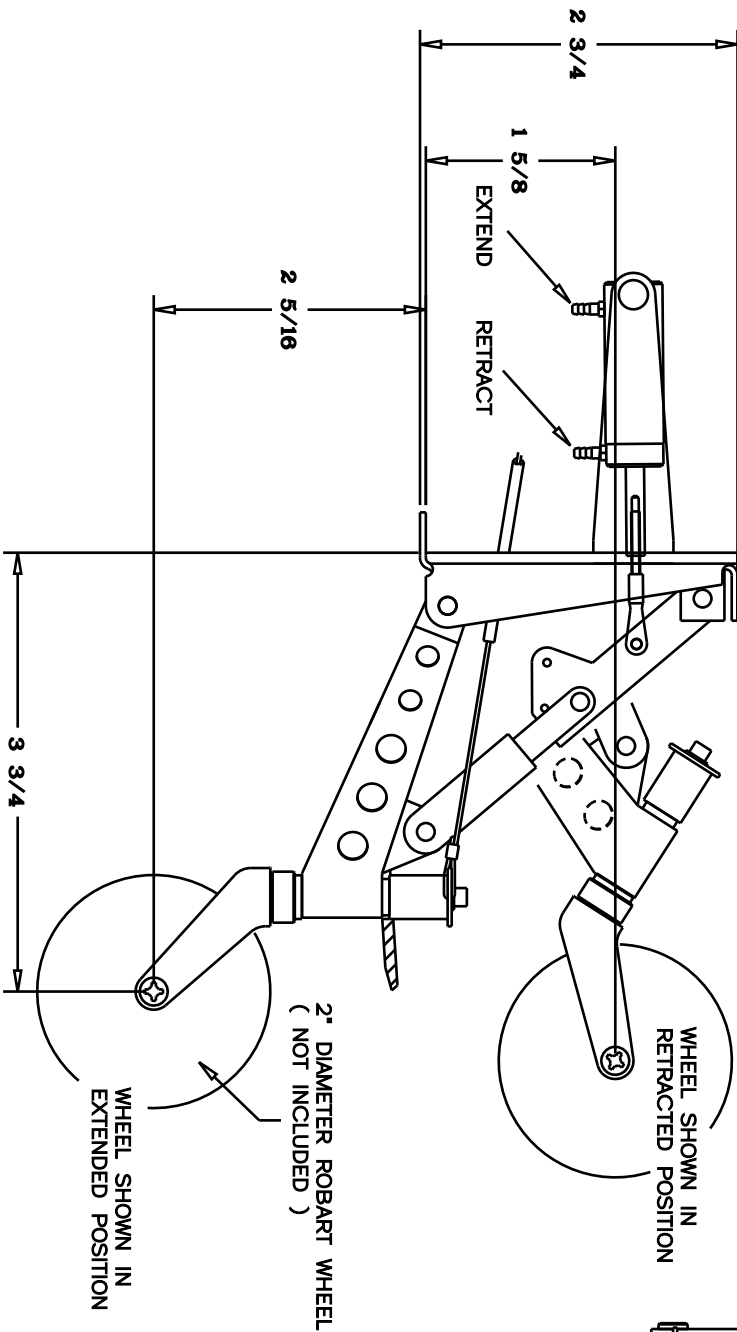
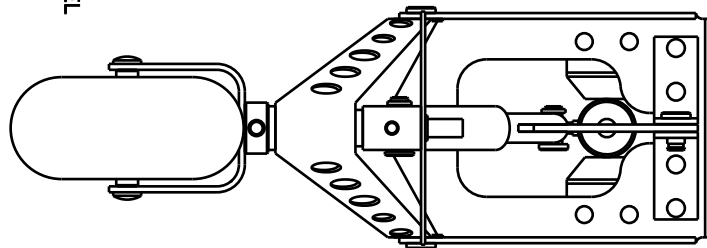


TYPICAL INSTALLATION
WITH INTEGRAL CYLINDER

PRINT NOT TO SCALE

		MFG. INC. 625 N. 12th ST. ST. CHARLES IL.	
		TITLE #160WC TAIL WHEEL	
DRAWING No.		REV.	
160WC			



THIS DRAWING ITS CONTENTS AND INFORMATION, ARE CONFIDENTIAL, AND THE PROPERTY OF ROBERT MFG. INC. IT MAY NOT BE USED, COPIED, AND / OR TRANSMITTED TO ANY PERSON, FIRM, OR CORPORATION WITHOUT THE PRIOR WRITTEN APPROVAL OF ROBERT MFG. INC.