

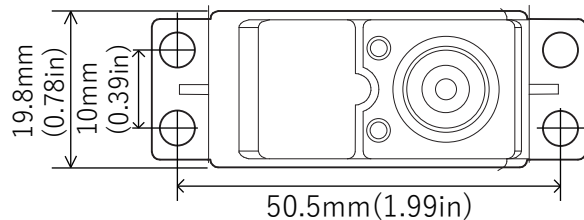
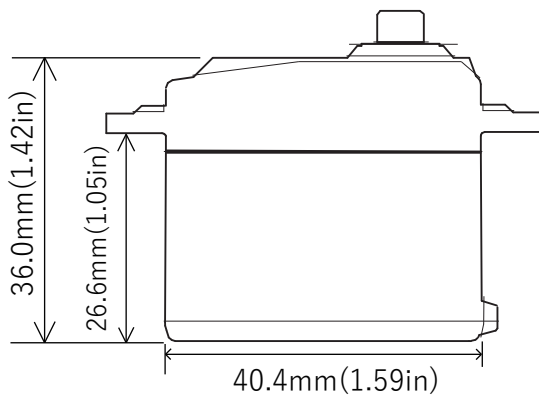
Futaba

S-U300

universal servo

S.BUS 2

S-U300		at 4.8V	at 6.0V	SIZE	40.4x19.8x36.0 [mm] 1.59x0.78x1.42 [in]
SPEED	(s/60°)	0.23	0.19	WEIGHT	36 [g]
TORQUE	(kgf · cm)	3.2	4.1	RATED VOLTAGE	4.8~6.0 [V]
	(ozf · in)	44.4	56.9	OPERATING VOLTAGE	4.0~6.0 [V]



WARNING

⚠ Turn on the power in transmitter → receiver order. In addition, always check the operation of all the servos before use.

⚠ Do not leave the servo in the locked state. Leaving the servo in the locked state may cause smoke, fire, and damage.

⚠ Never connect the battery in reverse. Reverse connection may cause smoke, fire, and damage.

⚠ Do not touch the servo case immediately after servo operation. You may be burned because the motor and circuits inside the servo become hot.

⚠ Use the servo as an actuator in hobby applications. Futaba will not be responsible if the servo is used in applications other than the above.

⚠ Futaba will not be responsible for damage, etc. caused by the use of parts other than Genuine Futaba parts.