

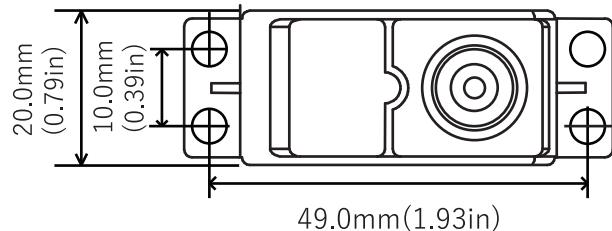
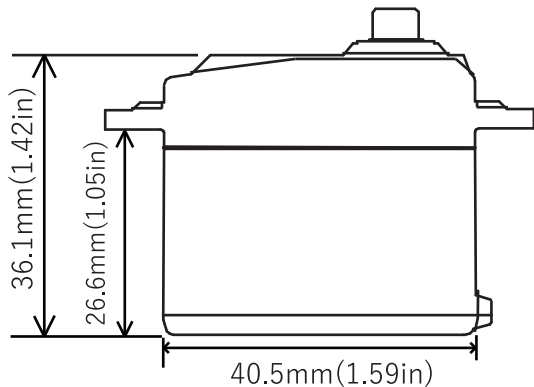
# Futaba

# S-U301

## universal servo

### S.BUS2

		at 6.6V	at 7.4V	SIZE	40.5x20.0x36.1 [ mm ] 1.59x0.79x1.42 [ in ]
SPEED	(s/60°)	0.18	0.16	WEIGHT	36 [ g ]
TORQUE	(kgf · cm)	3.5	3.9	RATED VOLTAGE	6.0~7.4 [ V ]
	(ozf · in)	48.6	54.2	OPERATING VOLTAGE	4.0~8.4 [ V ]



### WARNING

⚠ Turn on the power in transmitter → receiver order. In addition, always check the operation of all the servos before use.

⚠ Do not leave the servo in the locked state. Leaving the servo in the locked state may cause smoke, fire, and damage.

⚠ Never connect the battery in reverse. Reverse connection may cause smoke, fire, and damage.

⚠ Do not touch the servo case immediately after servo operation. You may be burned because the motor and circuits inside the servo become hot.

⚠ Use the servo as an actuator in hobby applications. Futaba will not be responsible if the servo is used in applications other than the above.

⚠ Futaba will not be responsible for damage, etc. caused by the use of parts other than Genuine Futaba parts.